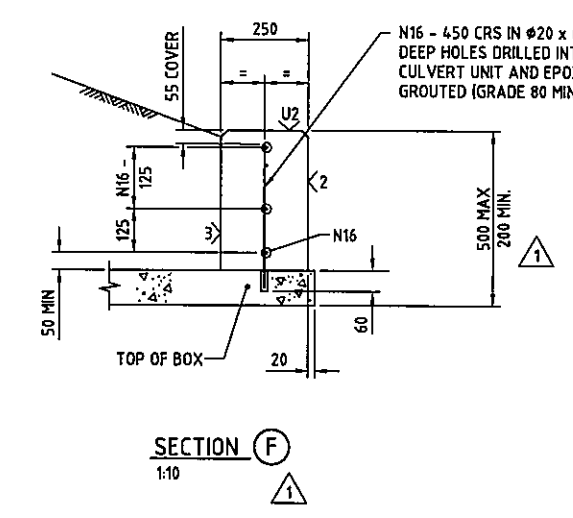
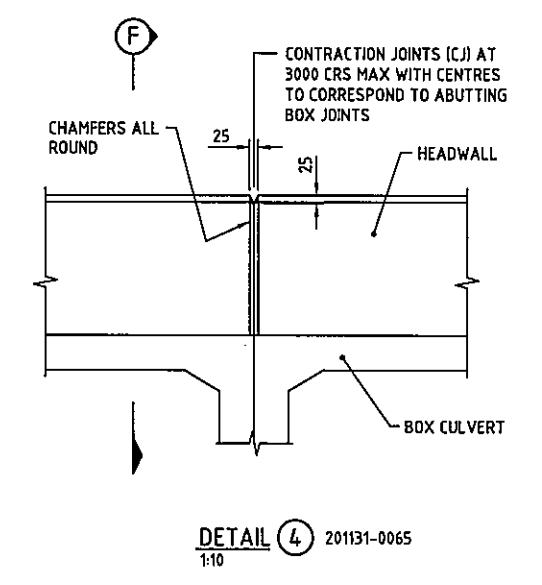
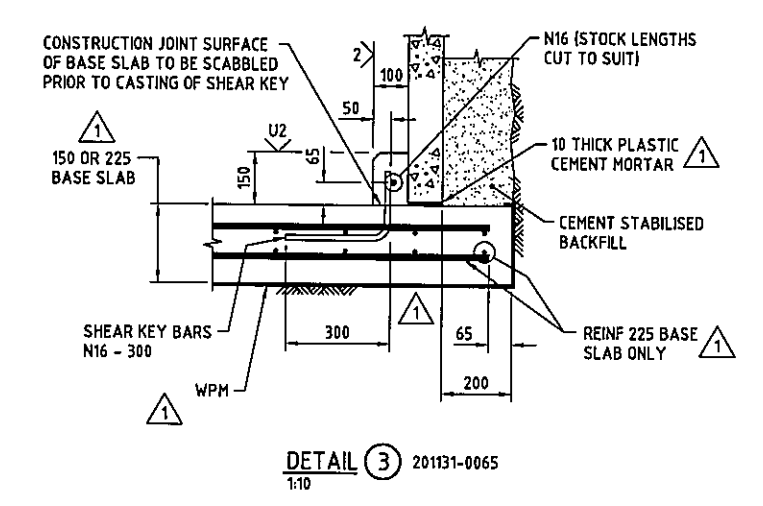
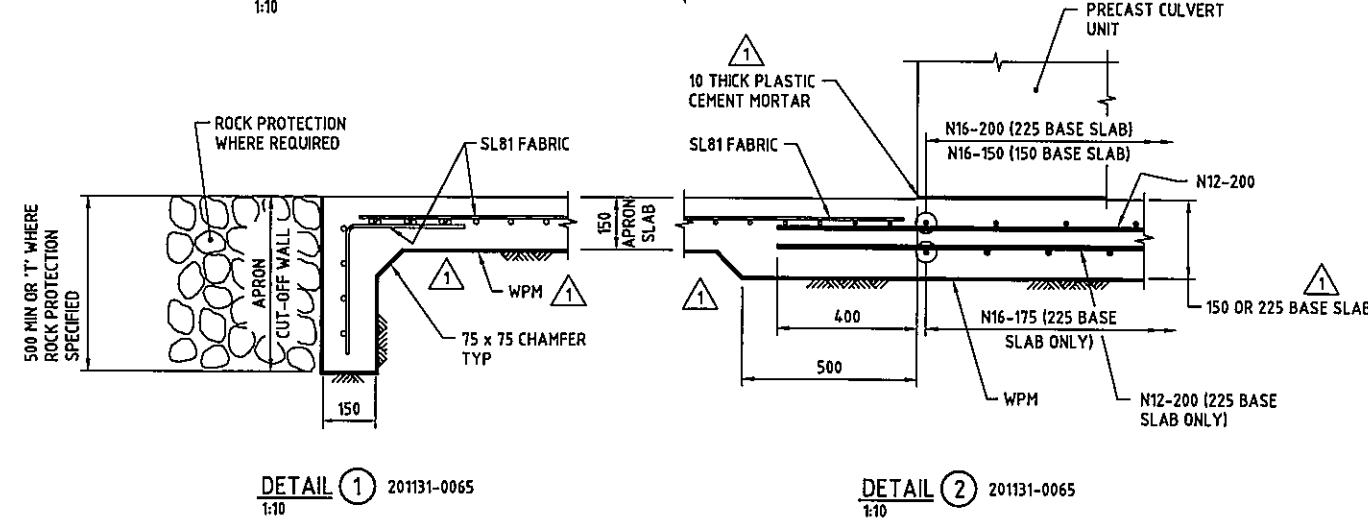
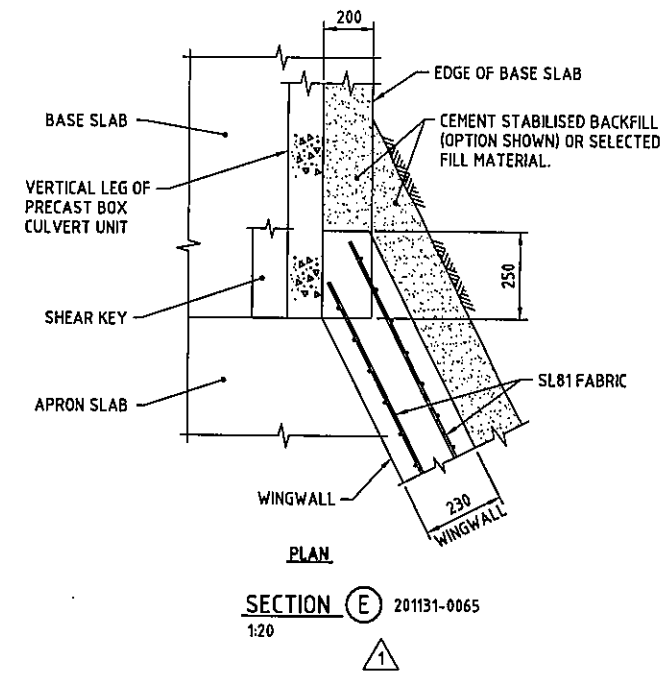
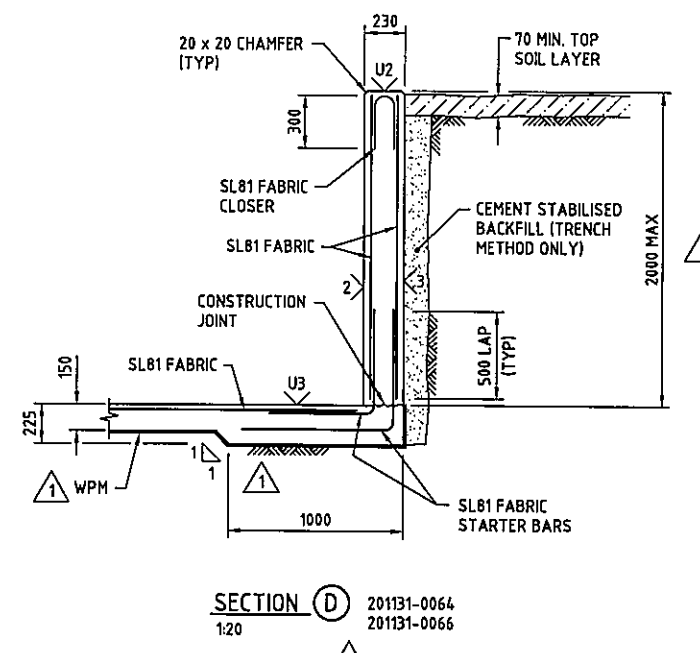
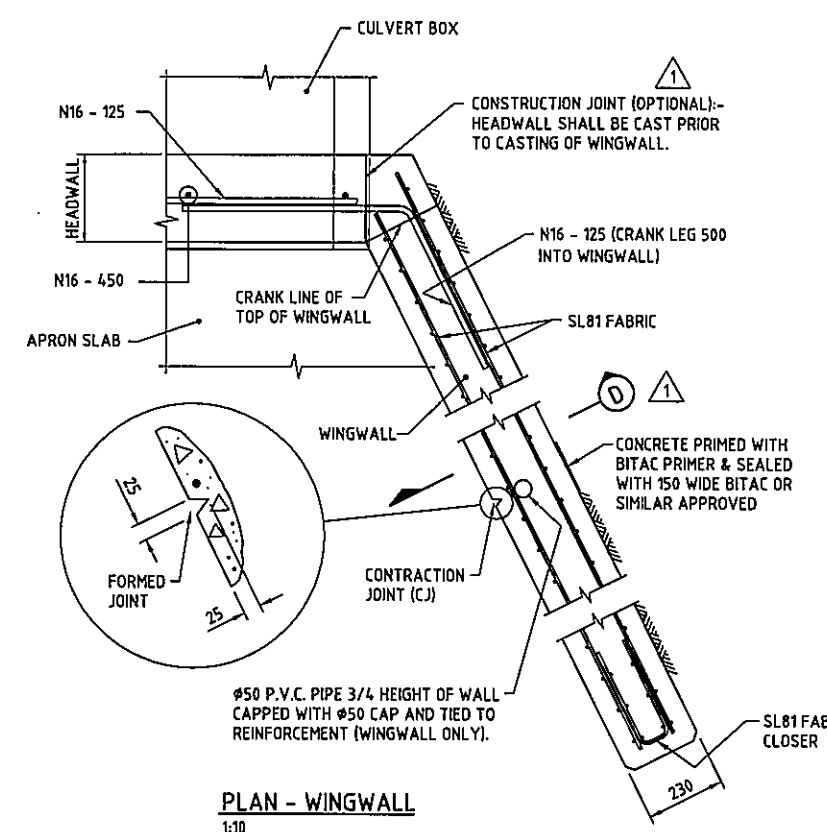


AMENDMENTS		
No.	DESCRIPTION	APPROVED & DATE
1	ADDED :- HEADWALL SECTION F; WPM; 225 BASE SLAB. CHANGED :- SECT E TO D; SECT F TO E; SECT G TO F; BOX COVER RANGE; CONSTRUCTION JOINT TO OPTIONAL & DRY PACKED MORTAR TO PLASTIC MORTAR. REMOVED :- 150 (NOM) SELECTED BEDDING MATERIAL FROM DRAWING.	<i>[Signature]</i> 22-12-17

NOTES

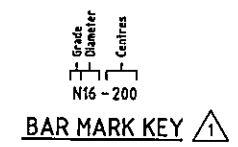
- FOR GENERAL NOTES REFER TO DRAWING N° 201131-0064.



HEADWALLS GREATER THAN 500 IN HEIGHT SHALL BE 'L' SHAPED RETAINING WALLS ATTACHED BY GROUTED DOWELS ON TO THE TOP OF THE BOX CULVERT UNITS AND SHALL BE DESIGNED BY THE PROJECT ENGINEER.

BASE SLAB :-
225 THICK FOR 200 TO 499 COVER. 150 THICK FOR 500 TO 2000 COVER.

NOTE:
SHEAR KEY REQUIRED FOR 1200L x 1200H BOXES ONLY



THIS DRAWING SHALL BE READ IN CONJUNCTION WITH DRG. N°s 201131-0064, 201131-0065 AND THE GENERAL ARRANGEMENT AND/OR CULVERT SCHEDULE DRAWINGS.

mainroads
Western Australia
PLANNING AND TECHNICAL SERVICES DIRECTORATE
ROAD AND TRAFFIC ENGINEERING BRANCH
WATERLOO CRESCENT EAST PERTH 6004
Telephone (08) 9323 4111 Fax (08) 9323 4430

FILE NUMBER: 04/7045
DESIGNED / DRAWN: KOON WONG/J.STANLEY
VERIFIED: A. LIM 15/12/11
APPROVED: R. GROVE 16/12/11

STANDARD DRAWING
SMALL BOX CULVERTS - COVER 200 TO 2000 (MAXIMUM BOX SIZE 1200 x 1200)
CONSTRUCTION DETAILS FOR BASE SLABS, APRON SLABS, WINGWALLS, HEADWALLS - SHEET N° 3

KRWA DRAWING NUMBER
201131-0066-1

1:20 0 200mm 400 600 800 1000 1200 1400 1600 1800 2000 2400 2600 3000
1:10 0 100mm 200 300 400 500 600 700 800 900 1000 1100 1200 1300 1400 1500